

PRODUCT SPECIFICATIONS

IRON VALLEY BACKLESS BENCH

*All metal fabricated parts are etched, phosphatized, preheated, primer powder coated, and final coat electrostatically powder coated.
 *Colors: Black, Evergreen, Dark Green, White, Tan, and Dark Brown. Special Order Colors Available.
 *This product can ship either knocked down or assembled.

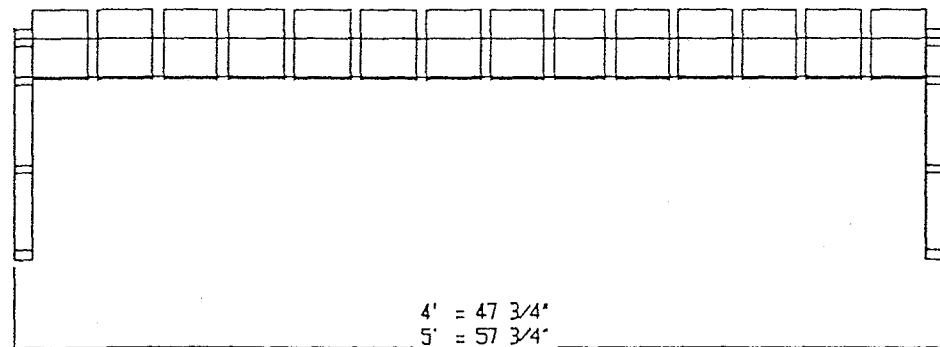
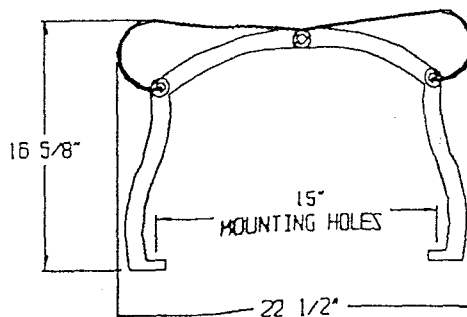
Slats Are Formed From
 Astm 1018 Cold
 Rolled Steel Bar.
 1 1/2" x 3/16"

65-45-12 Ductile
 Iron Castings

Hardware:
 (6) 1/2" x 2 1/2"
 Allan Head Stainless
 Steel Flow Bolts

1 1/4" x .120
 Wall Round Tube Supports

(4) Mounting Holes
 Size 1/2"



(8' INCLUDES CENTER LEG)

KINGS RIVER CASTING, INC.
 1350 NORTH AVE
 SANGER, CALIFORNIA 93657

***Note:** It is not recommended to locate anchor bolts until the bench is in place. Anchor bolts provided by others.