

PRODUCT SPECIFICATIONS

IRON VALLEY BENCH

*All metal fabricated parts are etched, phosphatized, preheated, primer powder coated, and final coat electrostatically powder coated.

*Colors: Black, Evergreen, Dark Green, White, Tan, and Dark Brown. Special Order Colors Available.

*This product can ship either knocked down or assembled.

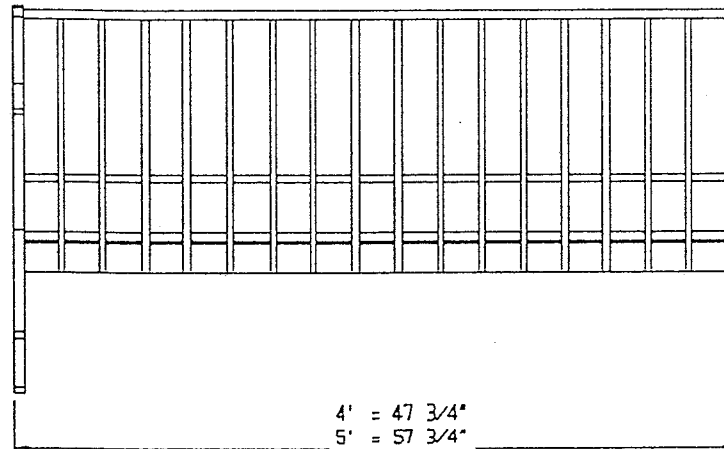
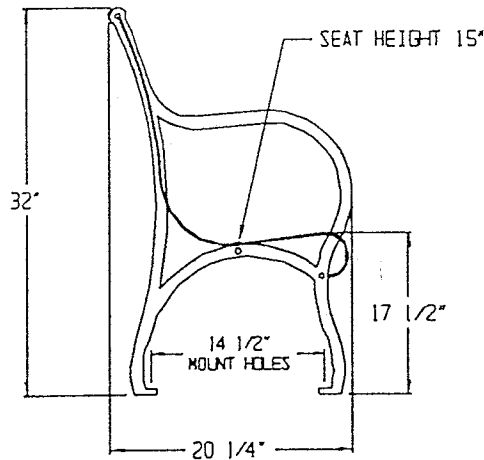
Slats Are Formed From
Astm 1018 Cold
Rolled Steel Bar.
1 1/2" x 3/16"

65-45-12 Ductile
Iron Castings

1 1/4" x .120
Wall Round Tube Supports

Hardware:
(6) 1/2" x 2 1/2"
Allen Head Stainless
Steel Bolts

1/2" Mounting
Holes



(8' INCLUDES CENTER LEG)

KINGS RIVER CASTING, INC.
1350 NORTH AVE
SANGER, CALIFORNIA 93657

***Note:** It is not recommended to locate anchor bolts until the bench is in place. Anchor bolts provided by others.